

Push Pull RJ45 0° / M12 female 0° D-cod. Ethernet

PUR 1x4xAWG22/7 shielded gn UL/CSA+robot 15m

Ethernet CAT5

The resistance to aggressive media should be individually tested for your application. Further details on request.

Female straight – male straight

M12 – RJ45PP, 4-pole

D-coded

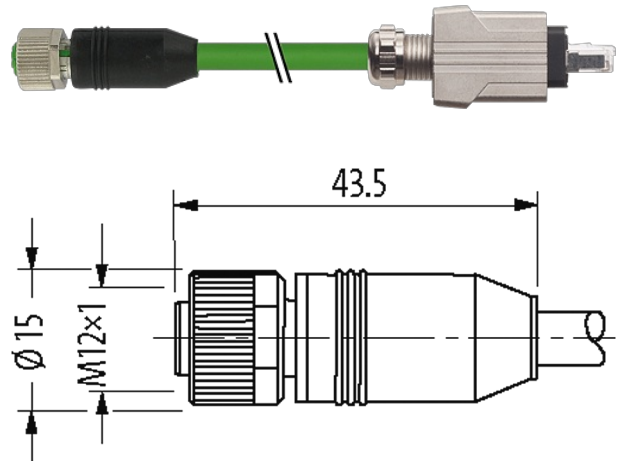
shielded

8-pole partly used

Push Pull

Further cable lengths on request.

Plastic housings with good resistance against chemicals and oils.

Illustration

Product may differ from Image

Approvals

* only for products with UL/CSA approved cable

More Info

EtherNet/IP

**Form**

Form 44625

Cables

| | |
|-----------------------|------------------------------|
| No./diameter of wires | 1 × 4 × 0.34 mm ² |
| Wire isolation | PE (wh, ye, bl, or) |
| Material (jacket) | PUR (UL/CSA) |
| Outer Ø | 6.6 mm ±5% |
| Bend radius (moving) | 12 × outer Ø |

| | |
|----------------------------|--|
| Temperature range (fixed) | -40...+80 °C |
| Temperature range (mobile) | -20...+60 °C |
| Cable identification | 793 |
| Approval (cable) | UL (AWM-Style 20233/10578), CSA; CE |
| Cable weight [g/m] | 69,30 |
| Material (wire) | Cu wire, tin plated |
| Resistor (core) | max. 60 Ω/km (20 °C) |
| Single wire Ø (core) | 0.16 mm |
| Construction (core) | 19× 0.160 mm |
| Diameter (core) | 1 × 4× AWG22/19 (0.382) |
| Material (wire isolation) | PE |
| Wire-Ø incl. isolation | 1.6 mm ±5% |
| Color/numbering of wires | wh, ye, bl, or |
| Shield | yes |
| | min. 85% |
| Material (jacket) | PUR |
| Outer-Ø (jacket) | 6.6 mm ±5% |
| Color (jacket) | green |
| chemical resistance | good resistance to oil, gasoline and chemicals |
| thermal resistance | flame retardant |
| Nominal voltage | 300 V |
| Temperature range (fixed) | -40...+80 °C |
| Temperature range (mobile) | -20...+60 °C |
| Bend radius (fixed) | 8× outer Ø |
| Bend radius (moving) | 12× outer Ø |
| Torsion stress | ±180°/m |
| No. of torsion cycles | max. 4 Mio. (25 °C) |
| Jacket Color | green |

Technical Data

| | |
|---|--|
| Operating voltage | max. 60 V DC |
| Operating voltage (only UL listed) | max. 30 V DC |
| Operating current per contact | max. 1.76 A |
| Material group | IEC 60664-1, category I |
| Transfer parameters | CAT5, Class D (ISO/IEC 11801:2002), (EN 50173-1) |
| Transfer rate | up to 100 Mbit/s full duplex |
| Coding | M12, D-coded |
| Locking of ports | Screw thread (M12×1 mm) recommended torque 0.6 Nm, self-securing |
| Compression gland | M12 (SW13) |
| Protection | IP65 and IP67 when plugged and screwed down (EN 60529) |
| Locking material | Zinc die casting, matte nickel plated |
| Material | PUR |
| suitable for corrugated tube (internal Ø) | without |

General data

| | |
|-------------------|--|
| Standards | DIN EN 61076-2-101 (M12) |
| Pollution Degree | 3 |
| Temperature range | -25...+85 °C, depending on cable quality |

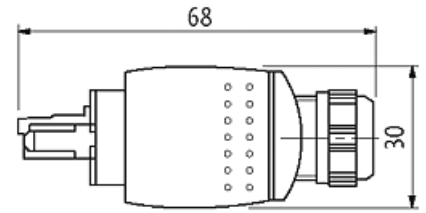
Commercial data

| | |
|-----------------------|---------------|
| country of origin | DE |
| customs tariff number | 85444290 |
| EAN | 4048879561815 |

eClass 27061801

Packaging unit 1

Sketch



Height: 22 mm

Product may differ from Image